

Scaled data based on original data using  
LM-79-08 Approved Method: Electrical and Photometric Measurements of Solid-State  
Lighting Products

Test Report Prepared for  
Cooper Lighting Solutions  
(formerly Eaton)

Brand: STREETWORKS

Report Number: P571658

Luminaire Tested: **UFLD-CA2-180-750-U-66-TS2\_UFLD**

Issue Date: 9/21/2021

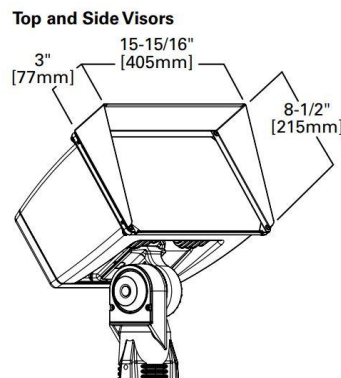
**Test Information**

Test Method: LM-79-08  
Report Number: P571658  
TEST IS SCALED FROM IESNA LM-79-08 TEST DATA (G2-2109-378-4)  
Test Lab: COOPER LIGHTING SOLUTIONS  
Issue Date: 9/21/2021  
Manufacturer: COOPER LIGHTING SOLUTIONS (FORMERLY EATON)  
Product Line: STREETWORKS  
Catalog Number: UFLD-CA2-180-750-U-66-TS2\_UFLD  
Description: FLOOD LIGHT, 6x6 OPTIC WITH TOP AND SIDE VISOR  
Light Source: (2) 5000K CCT, 70 CRI LEDS  
Ballast/Driver: -

**Summary**

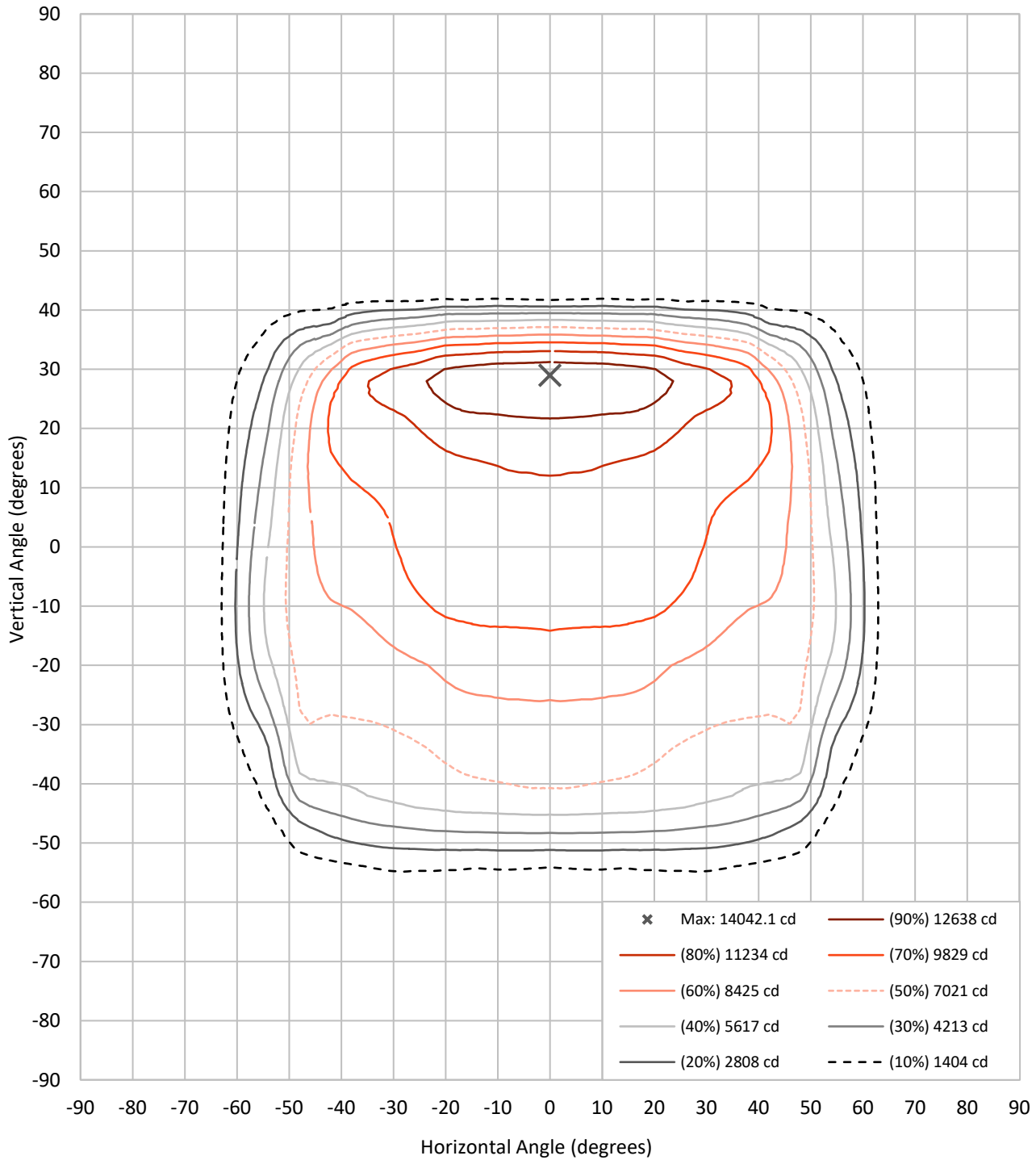
Lumens per Lamp:	N/A	NEMA Type:	6H x 5V
Luminaire Lumens:	23208 lumens	Max Intensity:	14042.1 candela
Efficiency:	N/A	Max Intensity Angle:	0°H x 29°V
Efficacy:	127.0 lumens/watt		
Luminous Opening:	Rectangular (W 1.25' x L: 0.67' x H: 0')		
Beam Angle (50%):	91.9°H x 77.9°V	Field Angle (10%):	119.5°H x 95.8°V
Beam Lumens:	17867.2 lumens	Field Lumens:	22615.3 lumens
Beam Efficiency:	77.0%	Field Efficiency:	97.4%

Input Watts (W): 182.8  
Input Voltage (V): 120  
Input Current (Ain): NR  
Voltage Rise (V): NR  
Power Factor: NR  
Total Harmonic Distortion (THDi): NR  
Frequency (hertz): 60  
Stabilization Time: NR  
Operation Time: NR  
Ambient Temperature (°C): NR  
Test Distance: 25 FT



REPORT NUMBER: P571658  
CATALOG NUMBER: UFLD-CA2-180-750-U-66-TS2\_UFLD

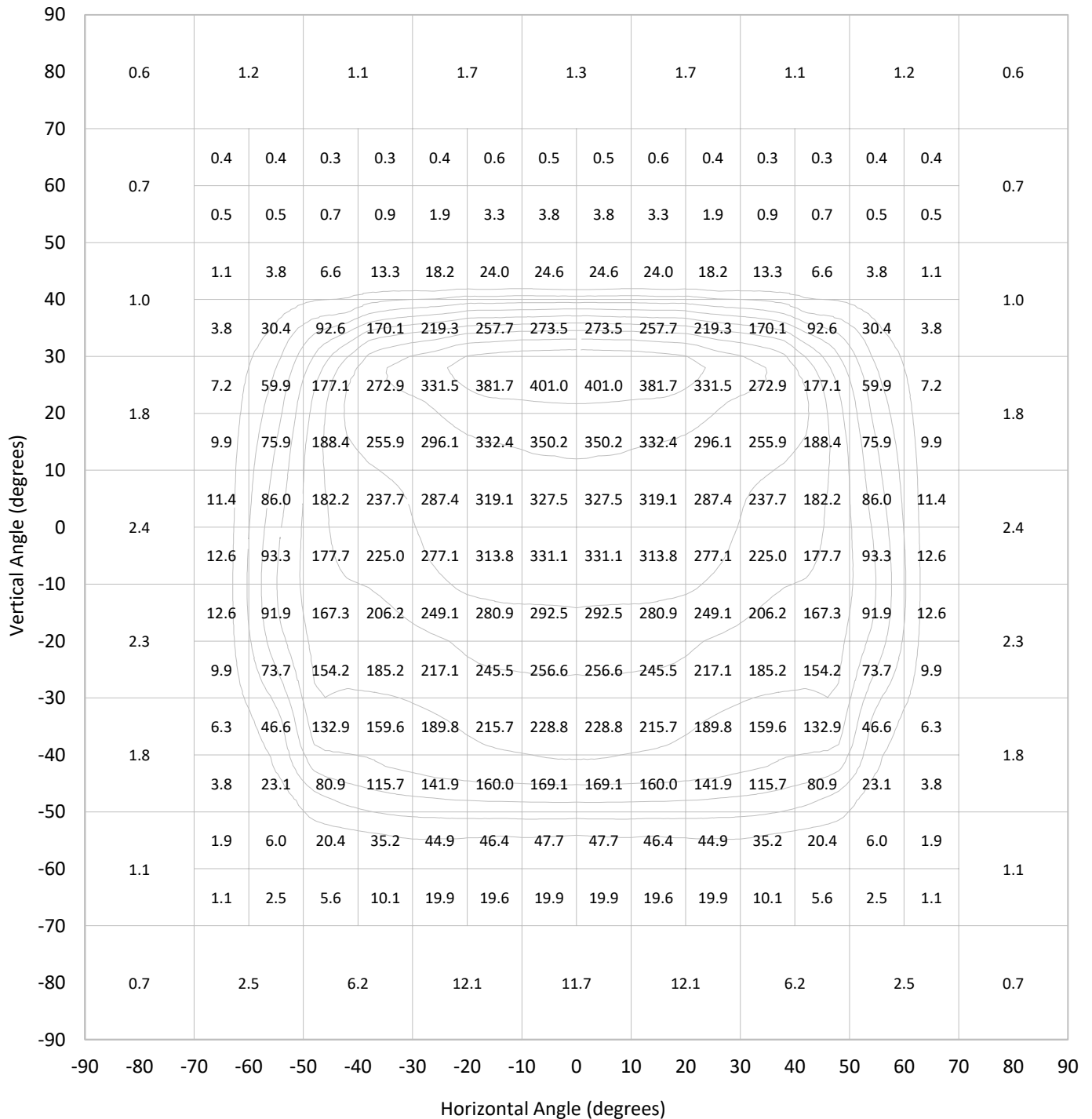
### Iso-Candela Plot





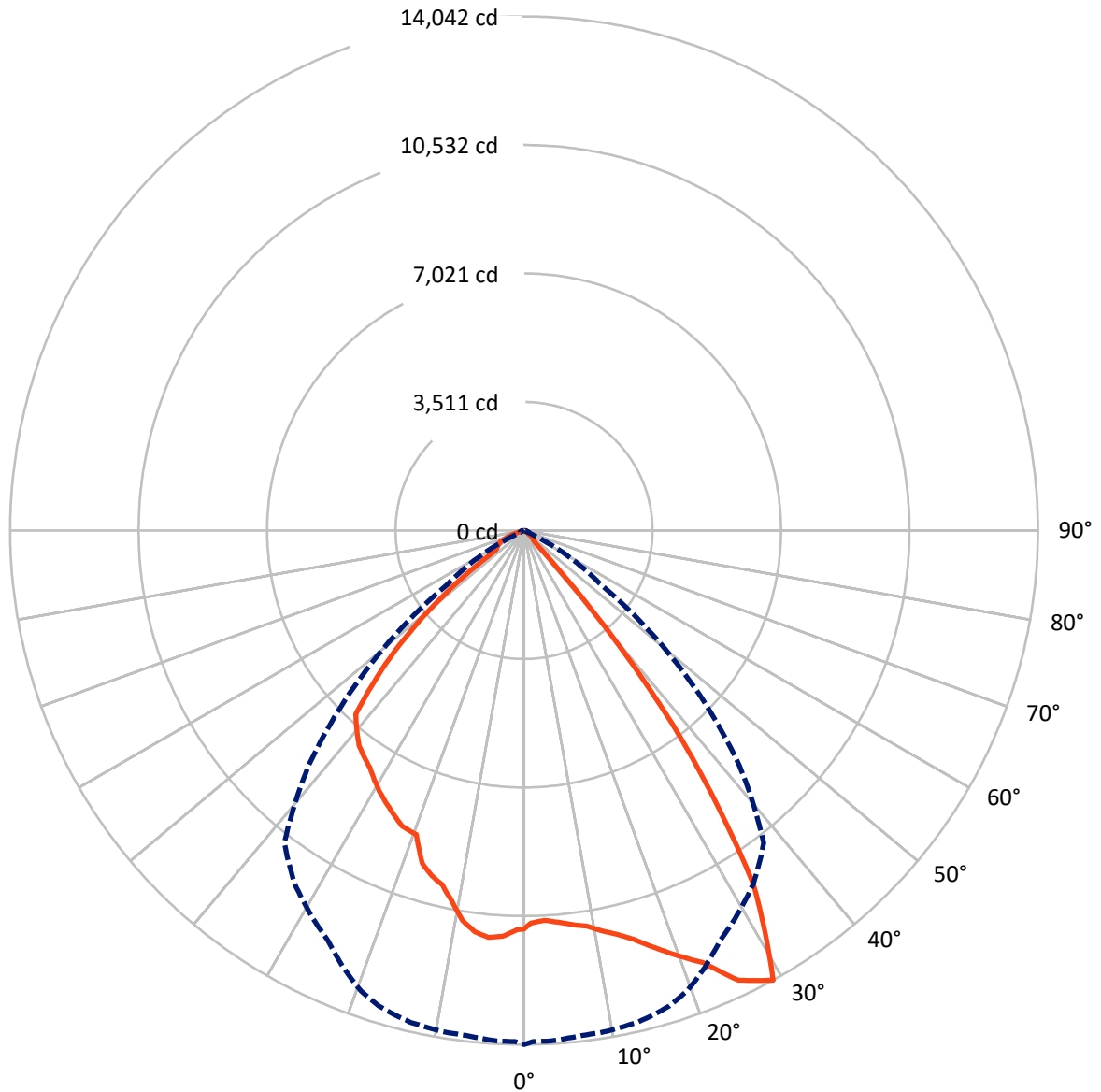
REPORT NUMBER: P571658  
 CATALOG NUMBER: UFLD-CA2-180-750-U-66-TS2\_UFLD

### Lumen Table



REPORT NUMBER: P571658  
CATALOG NUMBER: UFLD-CA2-180-750-U-66-TS2\_UFLD

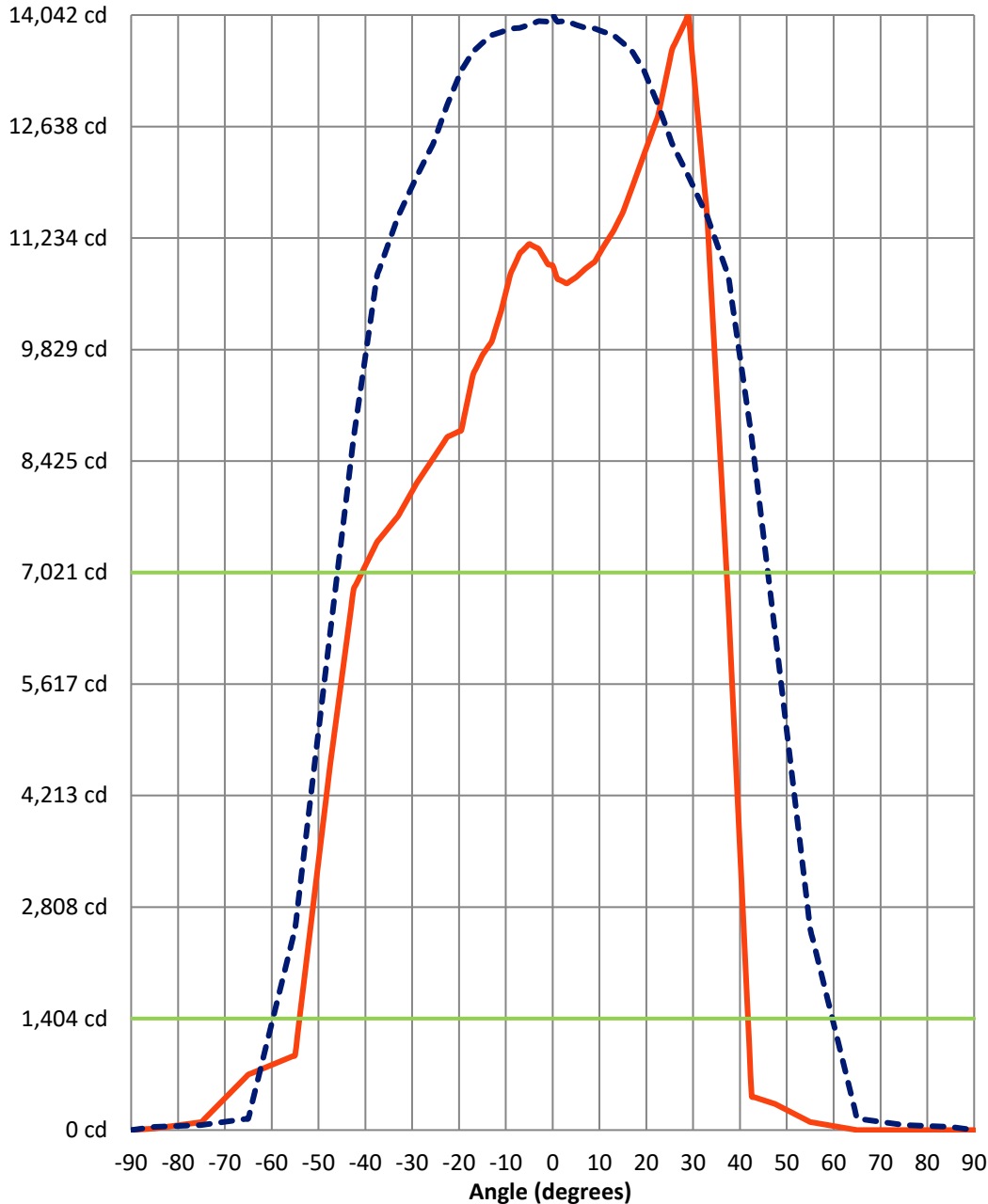
### Luminous Intensity Polar Plot



— Vertical Distribution Through 0-Deg      - - - Horizontal Distribution Through 29-Deg

REPORT NUMBER: P571658  
 CATALOG NUMBER: UFLD-CA2-180-750-U-66-TS2\_UFLD

### Luminous Intensity Plot



**Beam:**  
 H Angle: 91.9°  
 V Angle: 77.9°  
 Lumens: 17867.2  
 Efficiency: 77.0%

**Field:**  
 H Angle: 119.5°  
 V Angle: 95.8°  
 Lumens: 22615.3  
 Efficiency: 97.4%

**Spill:**  
 Lumens: 592.7  
 Efficiency: 2.6%

— Vertical Distribution through 0-Deg  
 - - - Horizontal Distribution through 29-Deg



REPORT NUMBER: P571658  
 CATALOG NUMBER: UFLD-CA2-180-750-U-66-TS2\_UFLD

FIELD  
 BEAM

**CANDELA DISTRIBUTION:**

	0°	1°	3°	5°	7°	9°	11°	13°	15°	17°	19.5°
90°	0.0	0.0	0.0	0.0	0.0	0.0	0.0	0.0	0.0	0.0	0.0
85°	0.0	6.3	15.8	20.1	21.1	23.2	23.2	25.3	25.3	24.3	23.2
75°	0.0	2.1	6.3	9.5	11.6	13.7	14.8	14.8	14.8	13.7	13.7
65°	0.0	1.1	4.2	6.3	8.4	9.5	9.5	10.6	10.6	10.6	9.5
55°	101.4	104.6	102.4	101.4	101.4	99.3	95.1	88.7	81.3	82.4	77.1
47.5°	328.5	325.3	326.3	324.2	321.1	311.6	306.3	302.0	298.9	297.8	284.1
42.5°	424.6	438.3	478.4	564.0	654.8	752.0	757.2	683.3	593.5	495.3	689.6
37.5°	6641.9	6744.3	6609.2	6573.2	6394.8	6432.8	6401.1	6300.8	6293.4	6350.4	6280.7
33°	11496.8	11534.9	11464.1	11445.1	11408.1	11408.1	11368.0	11188.5	11058.6	10978.3	10952.9
29°	14042.1	13959.7	13965.0	13918.5	13880.5	13871.0	13827.7	13788.6	13690.4	13581.6	13344.0
25.5°	13609.1	13566.8	13586.9	13509.8	13496.1	13439.0	13444.3	13391.5	13319.7	13206.7	12953.2
22.5°	12773.7	12779.0	12775.8	12735.7	12720.9	12669.1	12606.8	12595.2	12588.9	12506.5	12321.7
19.5°	12284.7	12233.0	12215.0	12241.4	12197.0	12131.6	12060.8	12013.3	11956.3	11933.0	11864.4
17°	11877.0	11822.1	11846.4	11808.4	11778.8	11693.3	11618.3	11553.9	11524.3	11483.1	11382.8
15°	11558.1	11514.8	11507.4	11478.9	11501.1	11396.5	11352.2	11297.2	11237.0	11176.8	11095.5
13°	11324.7	11335.3	11317.3	11242.3	11276.1	11192.7	11137.8	11068.1	11017.4	10962.5	10917.0
11°	11138.8	11152.6	11080.7	11077.6	11093.4	10984.6	10968.8	10887.5	10859.0	10864.2	10742.8
9°	10937.1	10967.7	10993.1	10959.3	10935.0	10891.7	10866.3	10836.8	10782.9	10791.4	10760.7
7°	10847.3	10822.0	10815.7	10864.2	10826.2	10785.0	10741.7	10757.6	10768.1	10797.7	10760.7
5°	10739.6	10754.4	10763.9	10734.3	10729.0	10744.9	10717.4	10749.1	10758.6	10969.8	11035.3
3°	10662.5	10717.4	10688.9	10653.0	10678.4	10702.6	10759.7	10765.0	10867.4	10991.0	11026.9
1°	10721.7	10760.7	10763.9	10763.9	10789.2	10867.4	10873.7	10905.4	10980.4	11032.2	11060.7
0°	10887.5	10863.2	10878.0	10855.8	10917.0	10957.2	10962.5	10937.1	10992.0	11167.3	11167.3
-1°	10904.4	10914.9	10958.2	10969.8	10954.0	11003.6	10926.5	10932.9	10959.3	11062.8	10965.6
-3°	11097.6	11100.8	11095.5	11099.7	11074.4	11060.7	11006.8	10963.5	10901.2	10803.0	10720.6
-5°	11158.9	11166.3	11138.8	11126.1	11069.1	10977.2	10948.7	10874.8	10773.4	10663.6	10584.4
-7°	11040.6	11042.7	10954.0	10978.3	10884.3	10778.7	10705.8	10603.4	10530.5	10423.8	10344.6
-9°	10782.9	10744.9	10683.6	10664.6	10575.9	10446.0	10346.7	10269.6	10232.7	10170.4	10188.3
-11°	10316.1	10285.5	10288.7	10236.9	10169.3	10112.3	10063.7	10032.0	10009.8	9983.4	9945.4
-13°	9931.7	9915.8	9863.0	9878.9	9845.1	9856.7	9867.3	9854.6	9828.2	9793.3	9738.4
-15°	9759.5	9746.9	9723.6	9705.7	9702.5	9702.5	9698.3	9693.0	9669.8	9583.2	9498.7
-17°	9513.5	9481.8	9479.7	9474.4	9462.8	9469.1	9456.4	9434.3	9427.9	9369.8	9287.5
-19.5°	8813.3	8829.1	8827.0	8850.2	8824.9	8868.2	8884.0	8885.1	8852.3	8815.4	8746.7
-22.5°	8727.7	8679.1	8685.5	8699.2	8674.9	8665.4	8661.2	8665.4	8632.7	8589.4	8478.5
-25.5°	8459.5	8478.5	8479.5	8452.1	8456.3	8460.5	8410.9	8407.7	8375.0	8327.4	8207.1
-29°	8150.0	8161.6	8135.2	8137.3	8093.0	8074.0	8015.9	7982.1	7928.2	7896.6	7779.3
-33°	7732.9	7759.3	7735.0	7727.6	7684.3	7650.5	7601.9	7577.6	7492.1	7415.0	7327.3
-37.5°	7405.5	7375.9	7368.5	7383.3	7326.3	7307.2	7260.8	7220.6	7160.4	7085.5	6974.6
-42.5°	6809.8	6847.8	6834.1	6790.8	6766.5	6694.7	6666.2	6630.3	6607.0	6595.4	6469.7
-47.5°	4603.6	4623.7	4617.3	4602.5	4586.7	4580.4	4549.7	4525.4	4520.2	4501.2	4441.0
-55°	942.1	966.3	984.3	1028.7	1047.7	1075.1	1049.8	1002.3	993.8	1093.1	1084.6
-65°	698.1	694.9	691.8	688.6	683.3	681.2	686.5	690.7	687.5	701.3	728.7
-75°	100.3	99.3	102.4	103.5	96.1	96.1	111.9	108.8	113.0	113.0	114.1
-85°	20.1	18.0	20.1	29.6	30.6	34.9	38.0	41.2	42.2	42.2	42.2
-90°	0.0	0.0	0.0	0.0	0.0	0.0	0.0	0.0	0.0	0.0	0.0



REPORT NUMBER: P571658  
 CATALOG NUMBER: UFLD-CA2-180-750-U-66-TS2\_UFLD

**CANDELA DISTRIBUTION (continued):**

	22.5°	25.5°	29°	33°	37.5°	42.5°	47.5°	55°	65°	75°	85°
90°	0.0	0.0	0.0	0.0	0.0	0.0	0.0	0.0	0.0	0.0	0.0
85°	21.1	19.0	16.9	14.8	12.7	13.7	15.8	20.1	28.5	32.7	35.9
75°	12.7	11.6	10.6	10.6	10.6	12.7	14.8	19.0	27.5	31.7	37.0
65°	9.5	8.4	7.4	7.4	7.4	9.5	14.8	20.1	28.5	32.7	37.0
55°	69.7	50.7	28.5	29.6	29.6	30.6	31.7	26.4	32.7	35.9	38.0
47.5°	241.8	171.1	103.5	81.3	81.3	70.8	61.3	46.5	60.2	39.1	38.0
42.5°	678.0	310.5	498.5	533.3	462.6	207.0	272.5	309.4	77.1	44.4	39.1
37.5°	5767.4	5522.4	5192.9	4918.3	4288.9	2706.8	2448.1	1076.2	91.9	50.7	39.1
33°	10567.5	10001.4	9725.7	9155.4	8717.2	6380.0	4923.6	1831.3	120.4	57.0	40.1
29°	12913.1	12424.1	12012.2	11506.3	10759.7	8717.2	6267.0	2533.6	144.7	63.4	40.1
25.5°	12562.5	12165.4	11766.2	11392.3	10991.0	9625.4	7093.9	3040.5	167.9	70.8	40.1
22.5°	11964.7	11530.6	11161.0	10941.3	10714.3	9923.2	7535.4	3394.3	190.1	78.2	41.2
19.5°	11510.6	11124.0	10785.0	10561.1	10541.1	9976.0	7781.4	3681.6	216.5	90.8	41.2
17°	11098.7	10780.8	10509.4	10406.9	10457.6	9838.7	7961.0	3919.2	240.8	99.3	41.2
15°	10820.9	10570.6	10351.0	10326.7	10292.9	9683.5	8095.1	4121.0	260.9	103.5	41.2
13°	10695.3	10474.5	10303.4	10280.2	10084.8	9500.8	8168.0	4305.8	276.7	106.7	41.2
11°	10548.5	10401.7	10311.9	10128.1	9854.6	9270.6	8173.3	4466.3	292.5	111.9	41.2
9°	10573.8	10382.6	10240.1	9951.8	9629.6	9154.4	8173.3	4612.0	289.4	115.1	41.2
7°	10585.4	10406.9	10112.3	9776.4	9453.3	9039.3	8194.4	4756.7	275.6	119.3	41.2
5°	10640.3	10381.6	10048.9	9639.1	9308.6	8956.9	8125.7	4904.6	270.4	122.5	41.2
3°	10643.5	10379.5	10022.5	9502.9	9207.2	8878.7	8117.3	5031.3	269.3	123.6	42.2
1°	10646.7	10368.9	9940.1	9367.7	9120.6	8839.7	8105.7	5172.8	272.5	123.6	42.2
0°	10630.8	10321.4	9905.3	9333.9	9066.7	8810.1	8119.4	5247.8	274.6	121.5	42.2
-1°	10612.9	10257.0	9819.7	9286.4	9025.5	8798.5	8104.6	5321.8	274.6	120.4	42.2
-3°	10480.9	10151.4	9739.5	9242.0	8953.7	8728.8	8049.7	5448.5	283.0	120.4	42.2
-5°	10343.6	10033.1	9653.9	9122.7	8866.1	8643.2	8064.5	5523.5	287.3	120.4	42.2
-7°	10207.3	9883.1	9533.5	9069.9	8737.2	8514.4	8025.4	5620.6	288.3	119.3	42.2
-9°	9985.5	9704.6	9332.9	8876.6	8569.3	8419.3	8011.7	5669.2	290.4	119.3	42.2
-11°	9798.6	9464.9	9129.0	8707.6	8406.7	8262.0	7946.2	5662.9	292.5	118.3	42.2
-13°	9537.8	9239.9	8934.7	8537.6	8267.3	8082.4	7879.7	5624.9	291.5	119.3	42.2
-15°	9302.2	9010.8	8703.4	8391.9	8110.9	7892.3	7780.4	5538.3	291.5	119.3	42.2
-17°	9063.6	8781.6	8493.3	8193.3	7954.6	7780.4	7706.5	5374.6	289.4	118.3	42.2
-19.5°	8529.2	8314.8	8135.2	7971.5	7770.9	7567.0	7590.3	5077.8	282.0	118.3	42.2
-22.5°	8259.9	8041.2	7858.5	7693.8	7535.4	7333.6	7467.8	4627.9	270.4	116.2	42.2
-25.5°	8015.9	7805.7	7617.7	7454.0	7346.3	7222.8	7356.9	4044.9	258.7	114.1	42.2
-29°	7603.0	7429.8	7274.5	7111.9	7025.3	6973.5	7179.5	3265.5	250.3	109.8	41.2
-33°	7143.5	6995.7	6843.6	6623.9	6531.0	6532.1	6762.3	2289.7	245.0	103.5	41.2
-37.5°	6820.4	6656.7	6429.6	6186.7	6016.7	6047.3	6093.8	1791.2	248.2	94.0	41.2
-42.5°	6301.8	6214.2	5939.6	5702.0	5391.5	5076.7	4607.8	1338.1	217.6	78.2	41.2
-47.5°	4406.1	4279.4	4163.2	4031.2	3742.9	3222.2	2462.9	529.1	194.3	61.3	41.2
-55°	1150.1	1136.4	1210.3	1113.1	911.4	680.1	592.5	202.8	146.8	52.8	41.2
-65°	792.1	822.7	646.3	429.8	217.6	184.8	288.3	109.8	80.3	46.5	40.1
-75°	110.9	99.3	78.2	82.4	86.6	81.3	73.9	45.4	45.4	42.2	39.1
-85°	41.2	39.1	38.0	37.0	34.9	32.7	32.7	33.8	38.0	41.2	39.1
-90°	0.0	0.0	0.0	0.0	0.0	0.0	0.0	0.0	0.0	0.0	0.0





REPORT NUMBER: P571658  
CATALOG NUMBER: UFLD-CA2-180-750-U-66-TS2\_UFLD

**CANDELA DISTRIBUTION (continued):**

	90°
90°	0.0
85°	0.0
75°	0.0
65°	0.0
55°	0.0
47.5°	0.0
42.5°	0.0
37.5°	0.0
33°	0.0
29°	0.0
25.5°	0.0
22.5°	0.0
19.5°	0.0
17°	0.0
15°	0.0
13°	0.0
11°	0.0
9°	0.0
7°	0.0
5°	0.0
3°	0.0
1°	0.0
0°	0.0
-1°	0.0
-3°	0.0
-5°	0.0
-7°	0.0
-9°	0.0
-11°	0.0
-13°	0.0
-15°	0.0
-17°	0.0
-19.5°	0.0
-22.5°	0.0
-25.5°	0.0
-29°	0.0
-33°	0.0
-37.5°	0.0
-42.5°	0.0
-47.5°	0.0
-55°	0.0
-65°	0.0
-75°	0.0
-85°	0.0
-90°	0.0

(END OF REPORT)